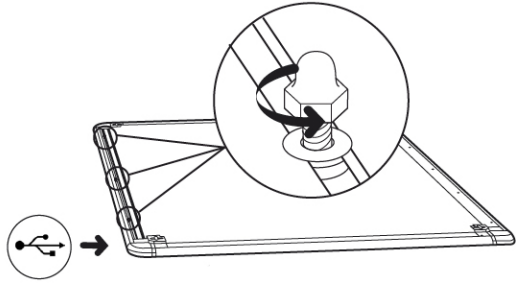


# QUICKGUIDE

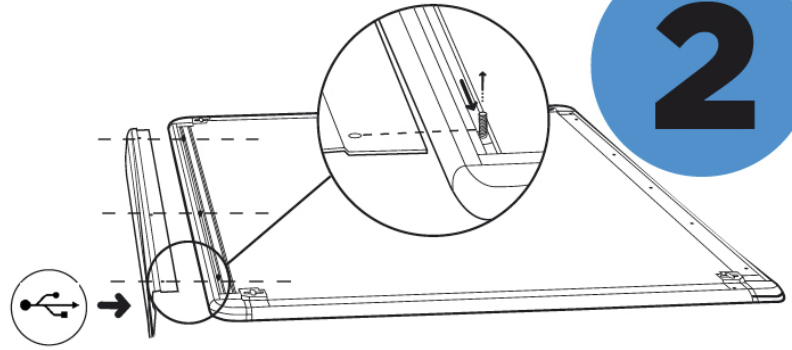
for quick and easy installation

**MasterVision®**

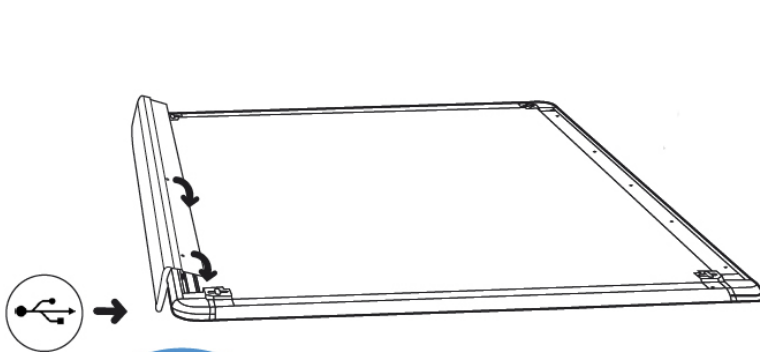
# MasterVision®



**1**



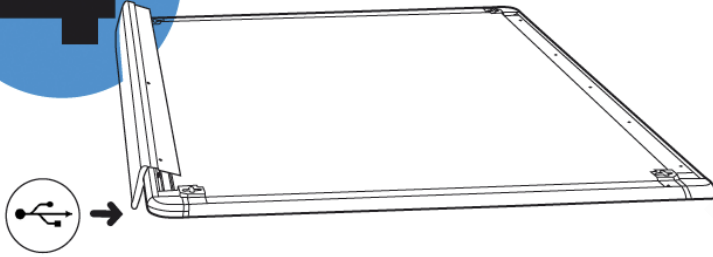
**2**



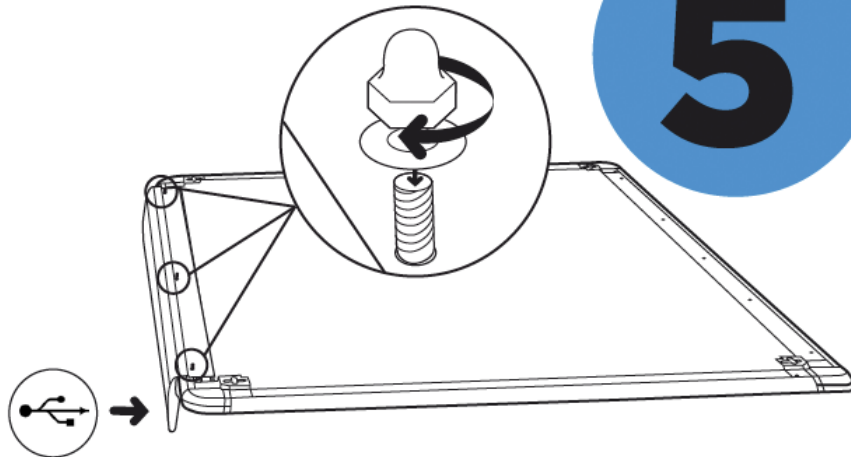
**3**

# MasterVision®

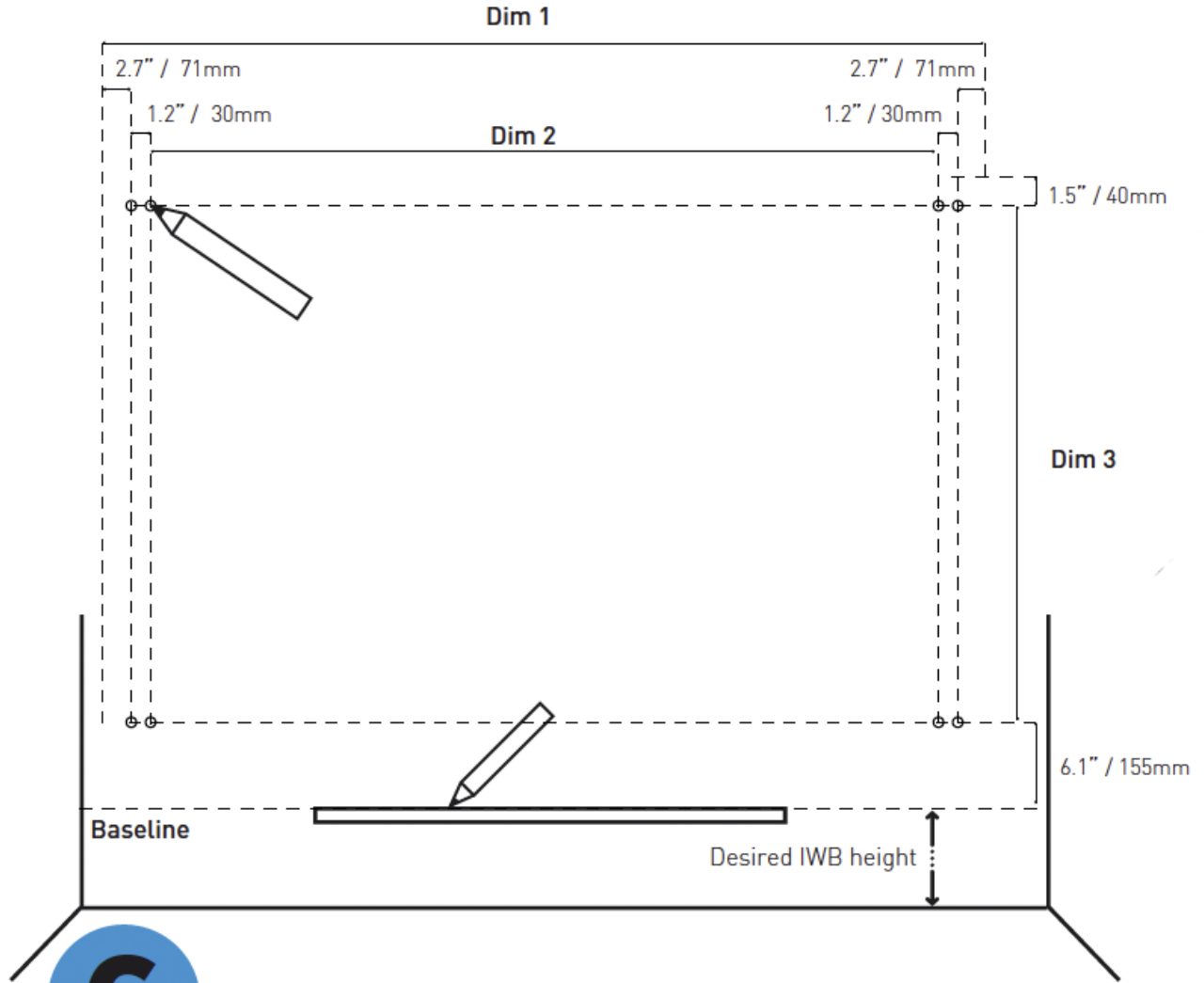
4



5



# MasterVision®

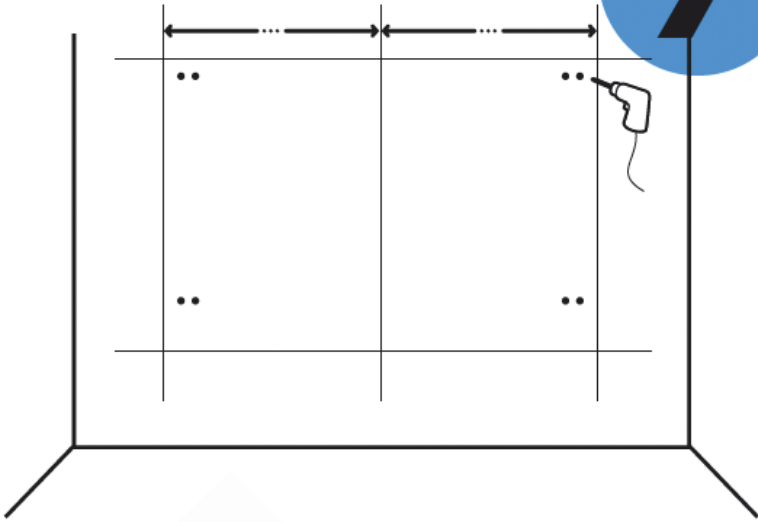


**6**

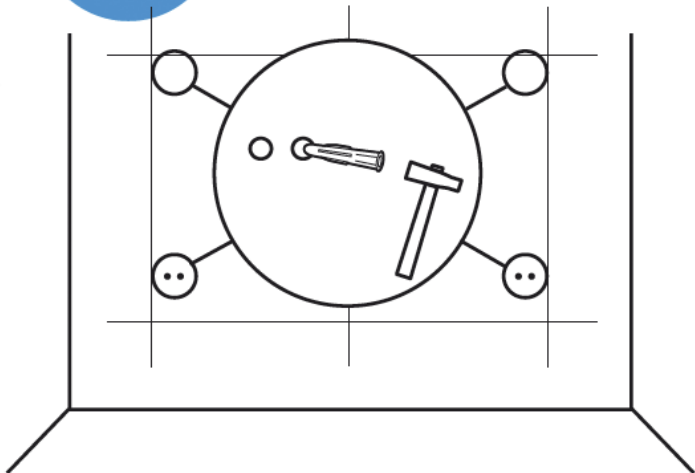
	Dim 1	Dim 2	Dim 3
56"	51" / 1300mm	43" / 1098mm	31.5" / 801mm
78"	70" / 1793mm	62.5" / 1591mm	44.5" / 1131mm
96"	90" / 2285mm	82" / 2083mm	44.5" / 1131mm

# MasterVision®

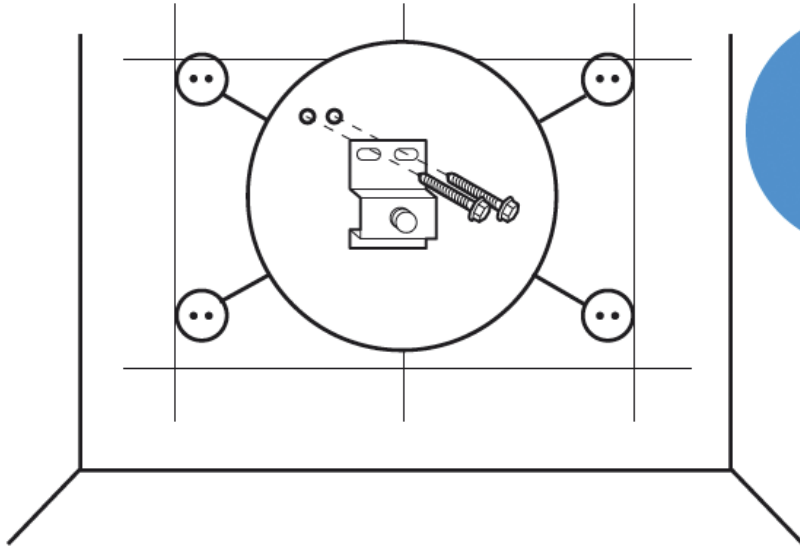
7



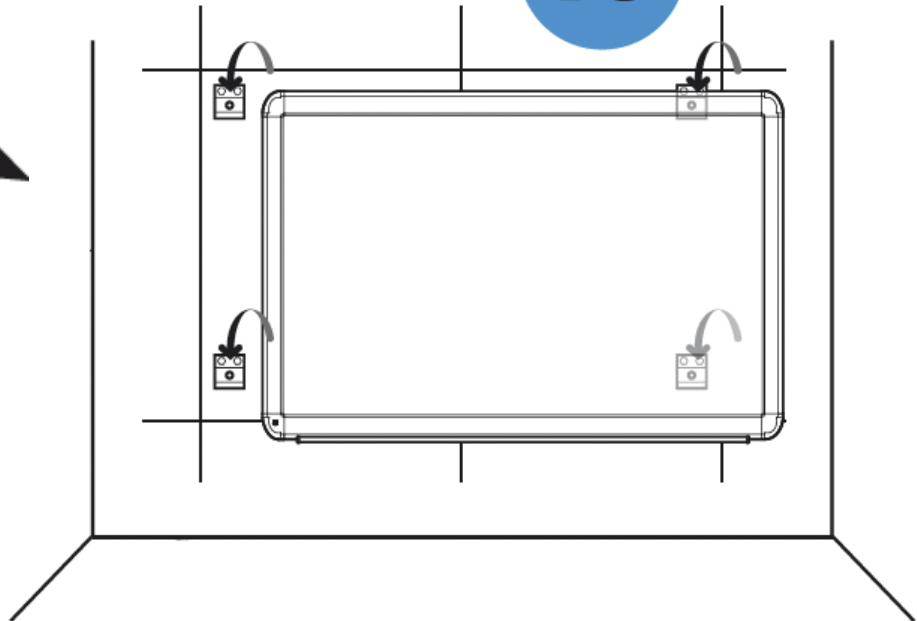
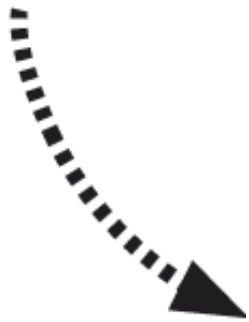
8



# MasterVision®

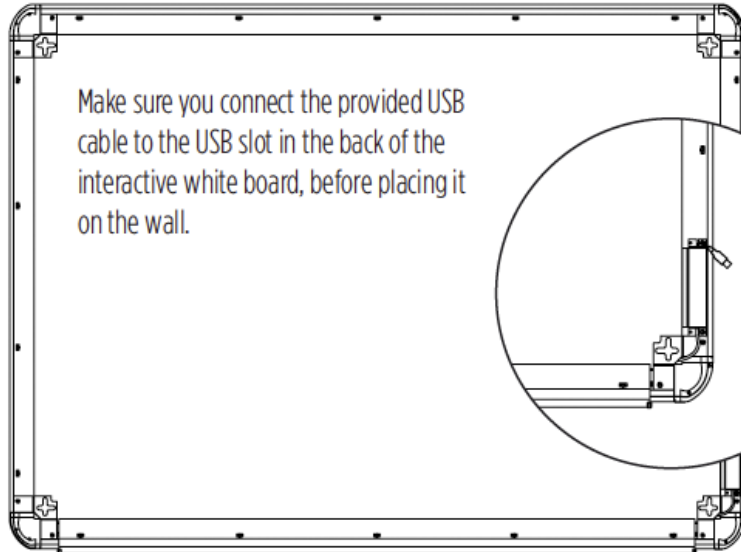


9



10

# MasterVision®



11



12

**PLEASE REMEMBER:**

Visit : [www.mastervision-interactive.com](http://www.mastervision-interactive.com)  
for full instruction guide - guide is also available  
on the IWB memory card.

Before using the IWB please run the calibration  
software for your operating system from the  
available CD or on the IWB memory card.

4631 Johnson Road · Suite 7  
Coconut Creek, FL 33073

**Distribution**

250 Grange Road  
Savannah, GA 31407

T: 561-314-3970  
[info.us@bisilque.com](mailto:info.us@bisilque.com)

**MasterVision®**